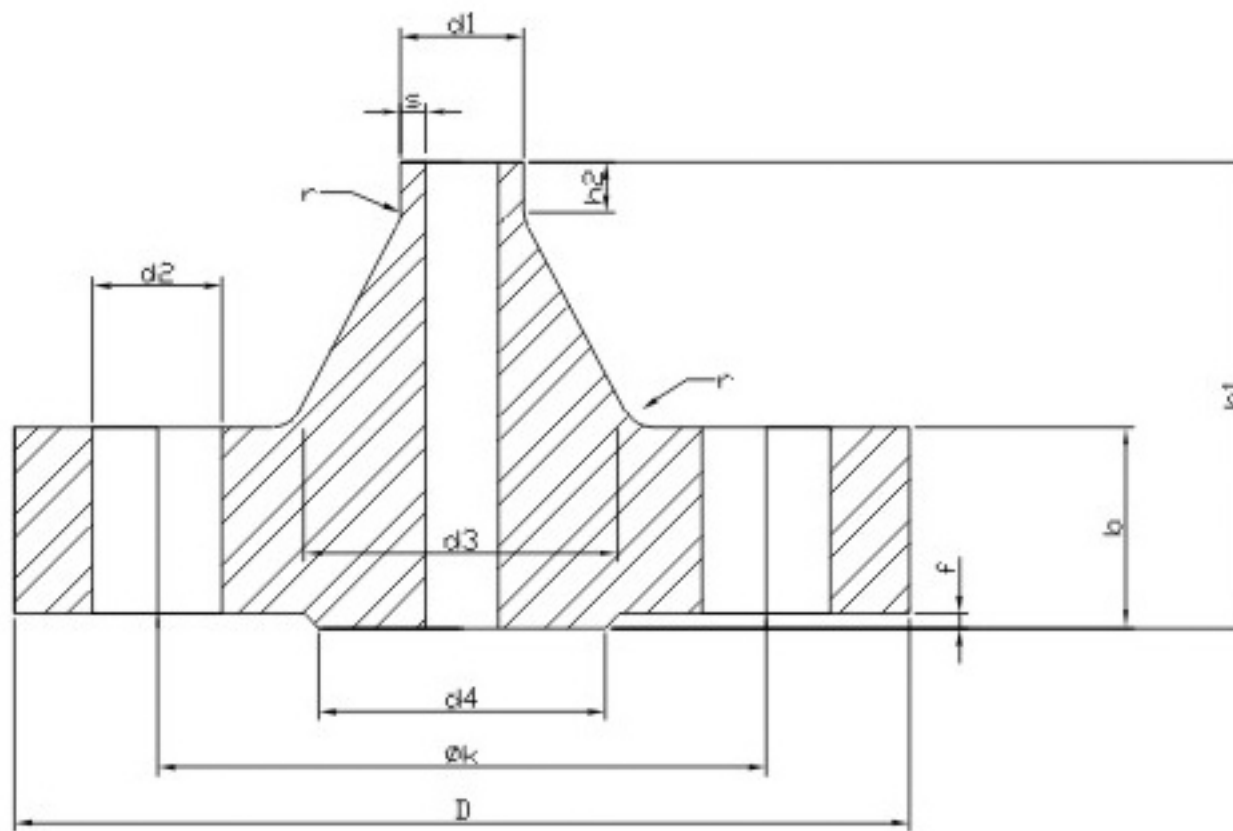


DIN 2627



Welding Flange 400 bar

Pipe Size		Flange Dimensions				Beginning Dimensions				Raised Face		Bolt Pattern			Weight
Nominal	d1	D	b	k	h1	d3	s	r	h2	d4	f	Holes	Bolt Dia	d2	lbs
10	17.2	125	28	85	65	48	3.6	4	8	40	2	4	M 16	18	5.56
15	26.9	145	30	100	68	56	5	4	8	45	2	4	M 20	22	7.91
25	42.4	180	38	130	90	82	7.1	4	10	68	2	4	M 24	26	16.38
40	60.3	220	48	165	110	106	10	6	12	88	3	4	M 27	30	30.86
50	76.1	235	52	180	120	120	12.5	6	15	102	3	8	M 27	30	36.82
65	101.6	290	64	225	135	158	16	6	18	122	3	8	M 30	33	69.67
80	114.3	305	68	240	150	174	17.5	8	20	138	3	8	M 30	33	84.66
100	139.7	370	80	295	175	216	22.2	8	25	162	3	8	M 36	39	148.37
125	193.7	415	92	340	200	258	30	8	30	188	3	12	M 36	39	211.64
150	219.1	475	105	390	225	302	35	10	35	218	3	12	M 39	42	321.87
200	273	585	130	490	280	388	40	10	40	285	3	16	M 45	48	652.57