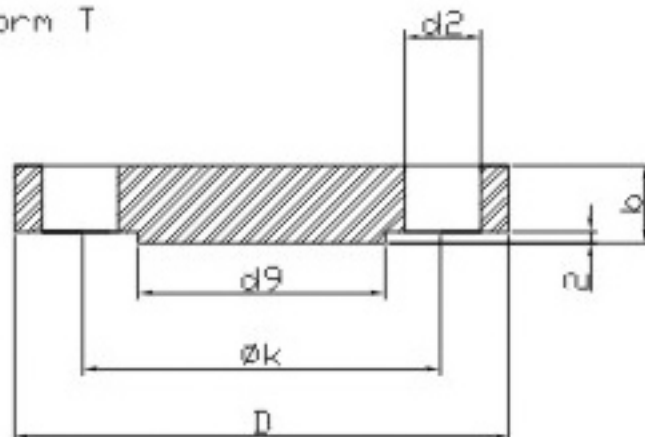
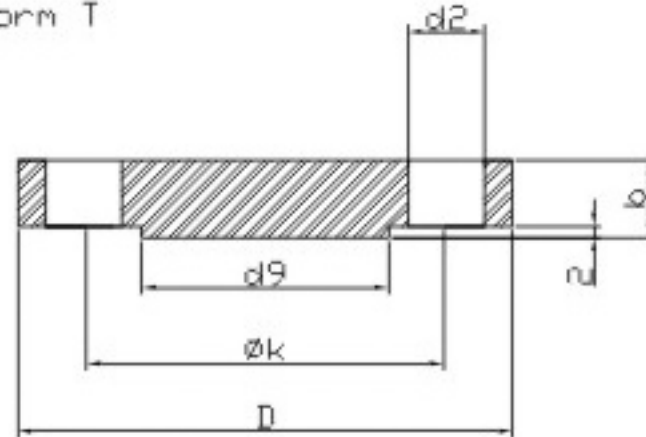


Form T



Form T



PN40

Pipe Size <i>Nominal</i>	Flange Dimensions				Bolt Pattern			Weight		
	<i>D</i>	<i>b</i>	<i>k</i>	<i>d9 max.</i>	<i>Holes</i>	<i>Bolt Dia.</i>	<i>d2</i>	<i>lbs form B</i>	<i>lbs form T</i>	
10	90	16	60		4	M12	14	1.59		
15	95	16	65							
20	105	18	75							
25	115	18	85							
32	140	18	100							
40	150	18	110							
50	165	20	125		8	M16	18	7.05		
65	185	22	145	55				9.46		9.55
80	200	24	160	70				12.96		13.10
100	235	24	190	90				16.62		16.84
125	270	26	220	115				23.81		24.25
150	300	28	250	140				31.97		32.41
175	350	32	295	165	12	M27	30	48.72	49.38	
200	375	34	320	190		59.97	60.85			
250	450	38	385	235		96.56	98.11			
300	515	42	450	285	16	M30	33	139.55	141.76	
350	580	46	510	330		197.31	200.18			
400	660	50	585	380		279.99	284.40			
500	755	56	670	475	20	M36	39	379.20	385.81	
						M39	42			

PN64

Pipe Size <i>Nominal</i>	Flange Dimensions							Bolt Pattern			Weight
	<i>D</i>	<i>b</i>	<i>k</i>	<i>d3</i>	<i>d4</i>	<i>d9 max.</i>	<i>f</i>	<i>Holes</i>	<i>Bolt Dia</i>	<i>d2</i>	<i>lbs</i>
10-40	For Pipe sizes from 10mm - 40mm, Use spec sheet for PN100										
50	180	26	135	82	102	-	3	4	M20	22	9.94
65	205	26	160	98	122	45	3	8			12.59
80	215	28	170	112	138	60	3	8			15.26
100	250	30	200	138	162	80	3	8	M24	26	22.27
125	295	34	240	168	188	105	3	8	M27	30	35.27
150	345	36	280	202	218	130	3	8	M30	33	51.81
175	375	40	310	228	260	155	3	12			67.90
200	415	42	345	256	285	180	3	12			87.52
250	470	46	400	316	345	220	3	12	M33	36	126.55
300	530	52	460	372	410	270	4	16			178.57
350	600	56	525	420	465	310	4	16			M36
400	670	60	585	475	535	360	4	16	M39	42	337.31