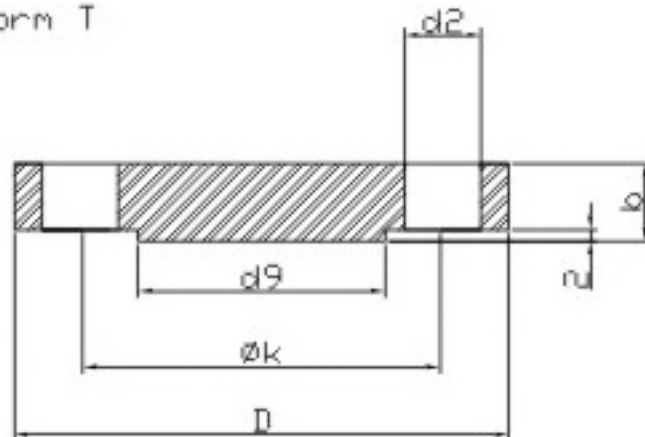
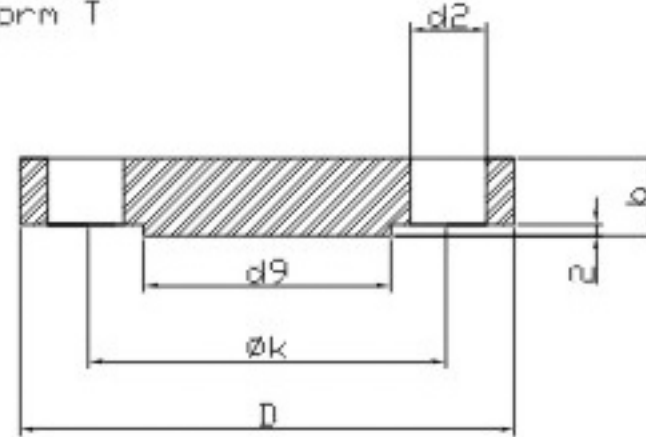


Form T



Form T



Pipe Size	Flange Dimensions				Bolt Pattern			Weight	
Nominal	D	b	k	d9 max.	Holes	Bolt Dia.	d2	lbs form B	lbs form T
10	75	12	50		4	M10	11	0.83	
15	80	12	55						
20	90	14	65						
25	100	14	75						
32	120	14	90						
40	130	14	100						
50	140	14	110						
65	160	14	130	55	8	M16	18	5.38	5.47
80	190	16	150	70					
100	210	16	170	90					
125	240	18	200	115					
150	265	18	225	140					
175	295	20	255	165					
200	320	20	280	190					
250	375	22	335	235	12	M20	22	40.34	41.89
300	440	22	395	285					
350	490	22	445	330					
400	540	22	495	380					
500	645	24	600	475					
					16			84.66	88.62
					20			133.16	139.33