



## C&N INDUSTRIAL GROUP LIMITED

ASME-B16.9-elbow-45-degree-long-radius

ASME-B16.9-codo-angulo-45-radio- Largo

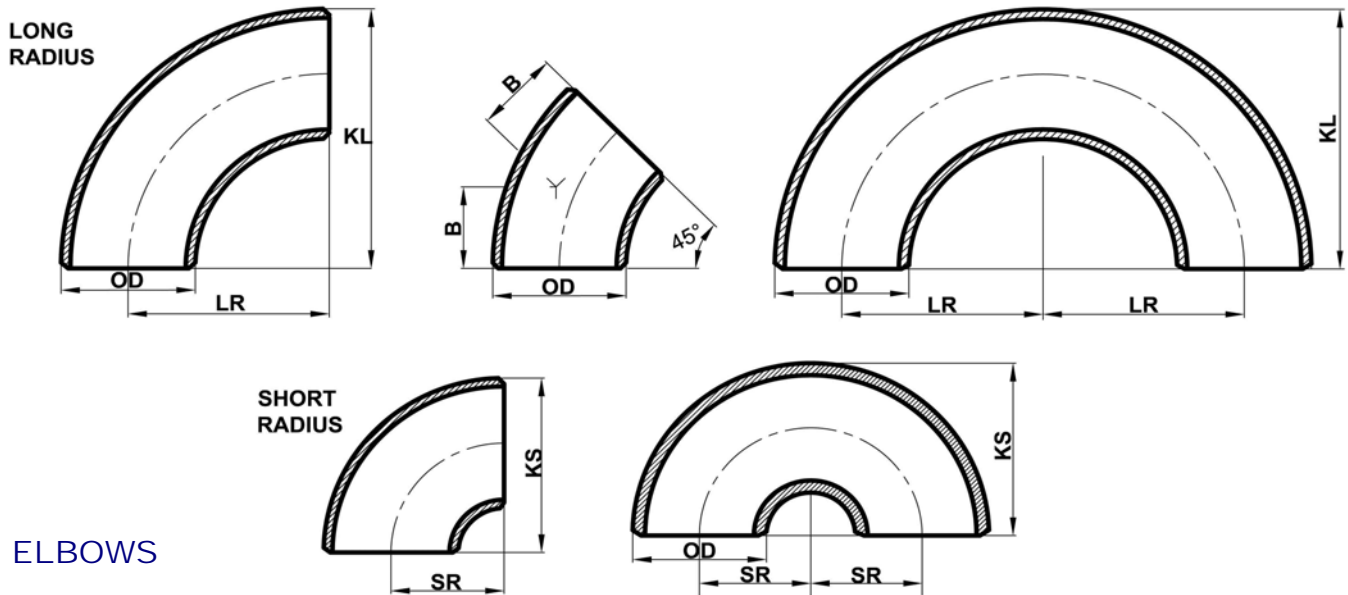


# BETTER PIPELINE BETTER CONNECTION

• Steel pipe • Pipe fitting • Flange

## 2012-2013

[www.cnpipefitting.com](http://www.cnpipefitting.com)  
[www.steelpipe.me](http://www.steelpipe.me)



**ELBOWS**

NPS	OD	LR (R=1.5D)	KL	SR (R=1D)	KS	B	Wall Thickness		90 LR ELBOW Weights(kg)	
							SCH.STD	SCH.XS	SCH.STD	SCH.XS
1/2"	21.34	38.10	47.60	-	-	15.90	2.77	3.73	0.07	0.10
3/4"	26.67	28.60	42.90	-	-	11.10	2.87	3.91	0.07	0.10
1"	33.40	38.10	55.60	25.40	41.30	22.20	3.38	4.55	0.15	0.19
1 1/4"	42.16	47.60	69.80	31.80	52.40	25.40	3.56	4.85	0.26	0.34
1 1/2"	48.26	57.20	82.50	38.10	61.90	28.60	3.68	5.08	0.38	0.48
2"	60.32	76.20	106.40	50.80	81.00	34.90	3.91	5.54	0.68	0.91
2 1/2"	73.02	95.20	131.80	63.50	100.00	44.40	5.16	7.01	1.30	1.73
3"	88.90	114.30	158.80	76.20	120.60	50.80	5.49	7.62	2.08	2.78
3 1/2"	101.60	133.40	184.20	88.90	139.70	57.20	5.74	8.08	2.92	3.96
4"	114.30	152.40	209.60	101.60	158.80	63.50	6.02	8.56	3.95	5.40
5"	141.30	190.50	261.90	127.00	196.80	79.40	6.55	9.53	6.67	9.34
6"	168.28	228.60	312.70	152.40	235.50	95.20	7.11	10.97	10.40	15.50
8"	219.08	304.80	414.30	203.20	312.70	127.00	8.18	12.70	20.90	31.30
10"	273.05	381.00	517.50	254.00	390.50	158.80	9.27	12.70	37.00	49.40
12"	323.85	457.20	619.10	304.80	466.70	190.50	9.52	12.70	54.00	71.20
14"	355.60	533.40	711.20	355.60	533.40	222.20	9.52	12.70	69.90	91.60
16"	406.40	609.60	812.80	406.40	609.60	254.00	9.52	12.70	91.20	120.20
18"	457.20	685.80	914.40	457.20	685.80	285.80	9.52	12.70	116.10	153.30
20"	508.00	762.00	1016.00	508.00	762.00	317.50	9.52	12.70	143.80	190.10
22"	558.80	838.20	1117.60	558.80	838.20	342.90	9.52	12.70	174.60	230.40
24"	609.60	914.40	1219.20	609.60	914.00	381.00	9.52	12.70	207.70	274.90
26"	660.40	990.60	1320.80	660.40	990.60	406.40	9.52	12.70	249.34	346.93
28"	711.20	1066.80	1422.40	711.20	1066.80	438.10	9.52	12.70	289.49	402.98
30"	762.00	1143.00	1524.00	762.00	1143.00	469.90	9.52	12.70	332.64	463.22
32"	812.00	1219.20	1625.60	812.80	1218.80	501.60	9.52	12.70	378.79	527.66
34"	863.60	1295.40	1727.20	863.80	1295.60	533.40	9.52	12.70	427.93	596.29
36"	914.40	1371.60	1828.80	914.40	1371.60	565.10	9.52	12.70	480.06	669.12
38"	965.20	1448.00	1930.60	965.20	1447.80	600.00	9.52	12.70	535.20	746.14
40"	1016.00	1524.00	2032.00	1016.00	1524.00	632.00	9.52	12.70	593.33	827.35
42"	1066.80	1600.00	2133.40	1066.80	1600.20	660.00	9.52	12.70	654.45	912.77
44"	1117.60	1676.00	2234.80	1117.60	1676.40	695.00	9.52	12.70	718.57	1002.37
46"	1168.40	1753.00	2337.20	1168.40	1752.60	727.00	9.52	12.70	785.69	1096.17
48"	1219.20	1829.00	2438.60	1219.20	1828.80	759.00	9.52	12.70	855.81	1194.16