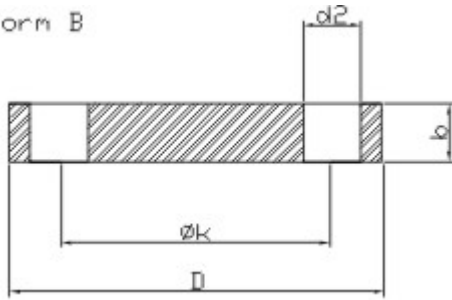


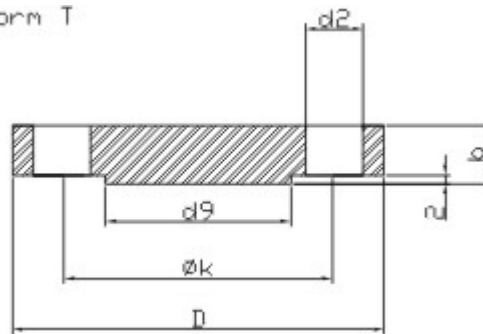
Din2527

For flanges between 6 & 40 bar

Form B



Form T



PN6

Pipe Size Nominal	Flange Dimensions				d9 max.	Bolt Pattern			Weight	
	D	b	k	Holes		Bolt Dia.	d2	lbs form B	lbs form T	
10	75	12	50	4		M10	11	0.83		
15	80	12	55					0.97		
20	90	14	65					1.43		
25	100	14	75					1.81		
32	120	14	90			M12	14	2.58		
40	130	14	100					3.06		
50	140	14	110					3.57		
65	160	14	130	55	8	M16	18	5.38	5.47	
80	190	16	150	70				7.56	7.69	
100	210	16	170	90				10.49	10.71	
125	240	18	200	115				13.47	13.84	
150	265	18	225	140				16.56	17.09	
175	295	20	255	165				22.93	23.59	
200	320	20	280	190				27.12	28.00	
250	375	22	335	235	12	M20	22	40.34	41.89	
300	440	22	395	285				55.78	57.98	
350	490	22	445	330				69.67	72.53	
400	540	22	495	380	16	M20	22	84.66	88.62	
500	645	24	600	475	20			133.16	139.33	

PN10

Pipe Size Nominal	Flange Dimensions				d9 max.	Bolt Pattern			Weight	
	D	b	k	Holes		Bolt Dia.	d2	lbs form B	lbs form T	
10-175	For Pipe sizes from 10mm - 175mm, Use spec sheet for PN16									
200	340	24	295	190	8	M20	22	36.38	37.26	
250	395	26	350	235	12			52.91	54.45	
300	445	26	400	285				68.12	70.33	
350	505	26	460	330	89.51			92.37		
400	565	26	515	380	16	M24	26	108.91	112.88	
500	670	28	620	475				20	165.35	171.52